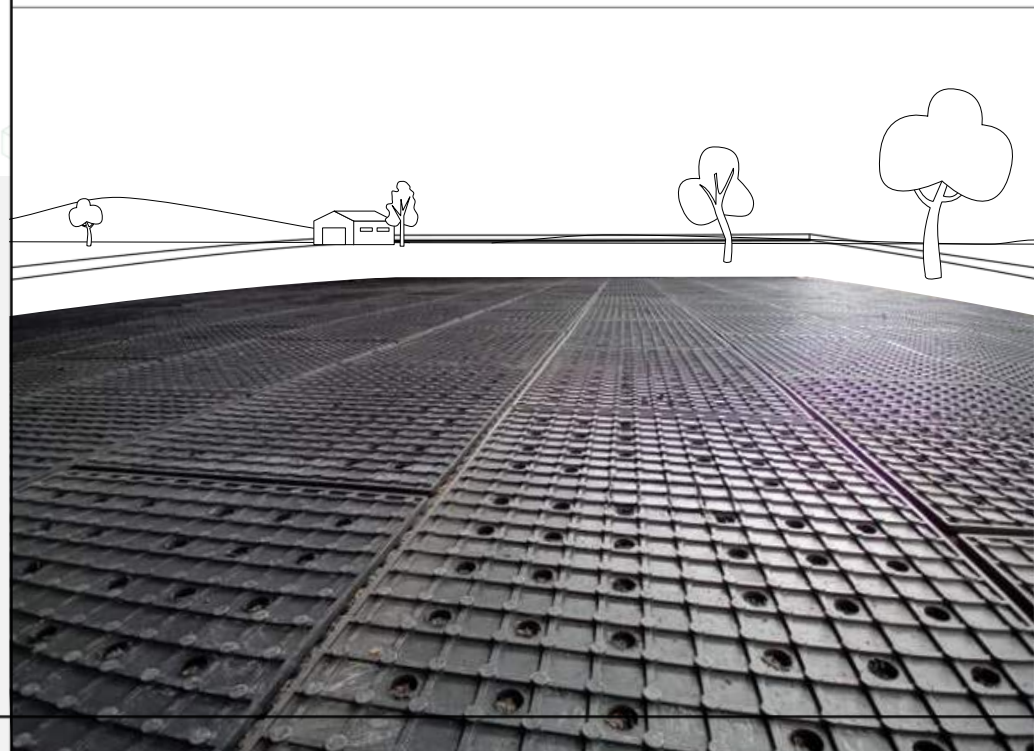




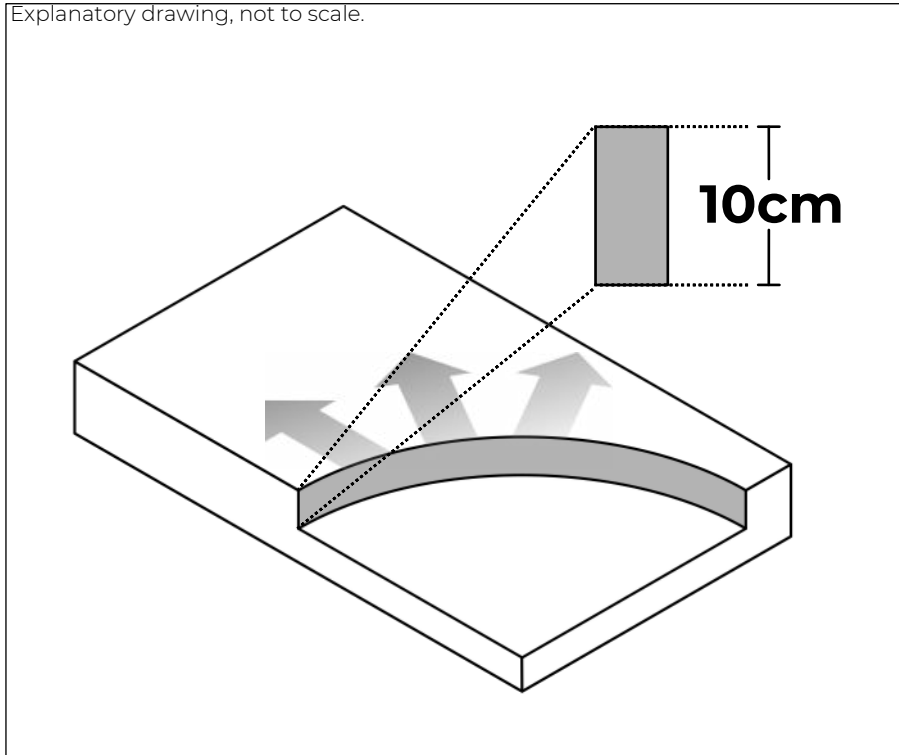
# Instruction of ground preparation and installation of outdoor riding arena with perforated matting system

Please follow the recommendations and carefully construct the substructure.

A properly constructed substructure will increase the life of your riding arena and improve your riding comfort!

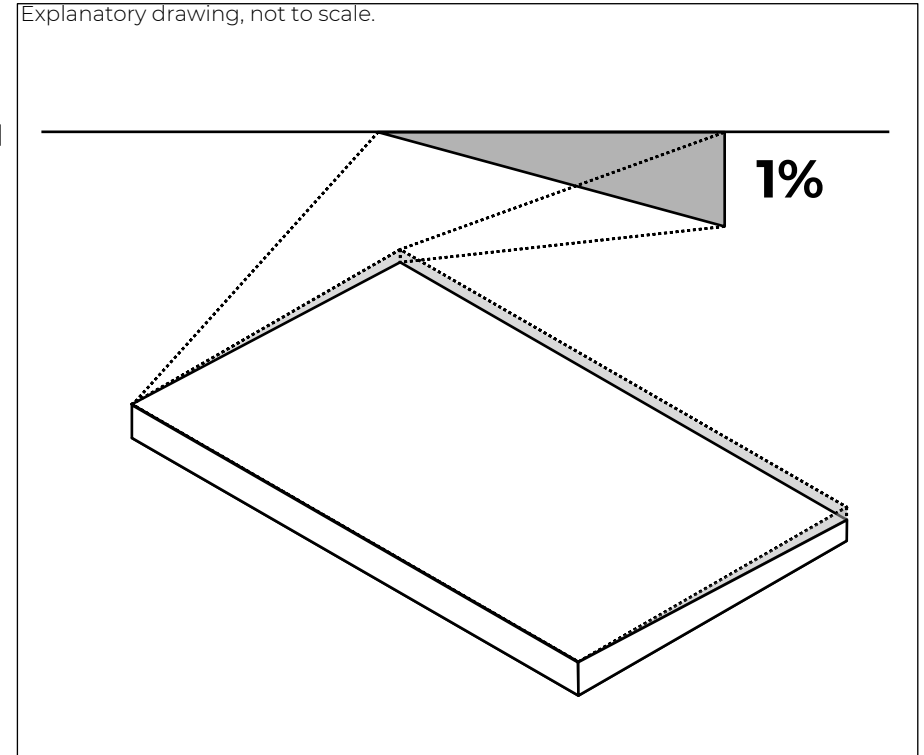


1



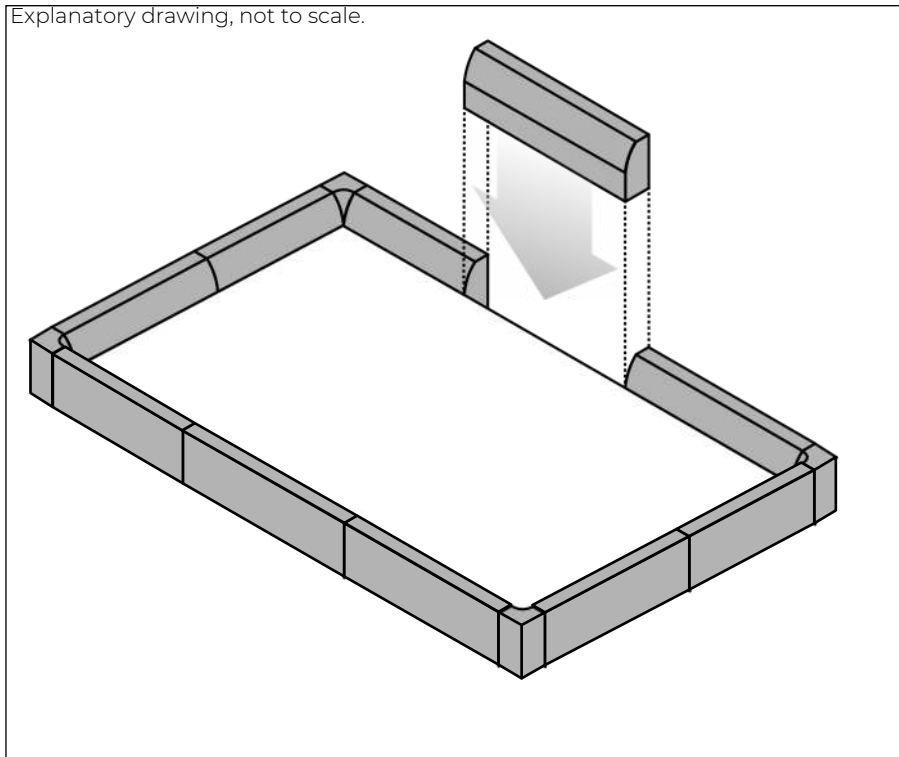
**Remove a 10cm layer of sand.**  
 Thickness of the layer depends of the natural soil.

2



**Make a 1% slope.**  
 Preferably in line with the natural slope of the ground.

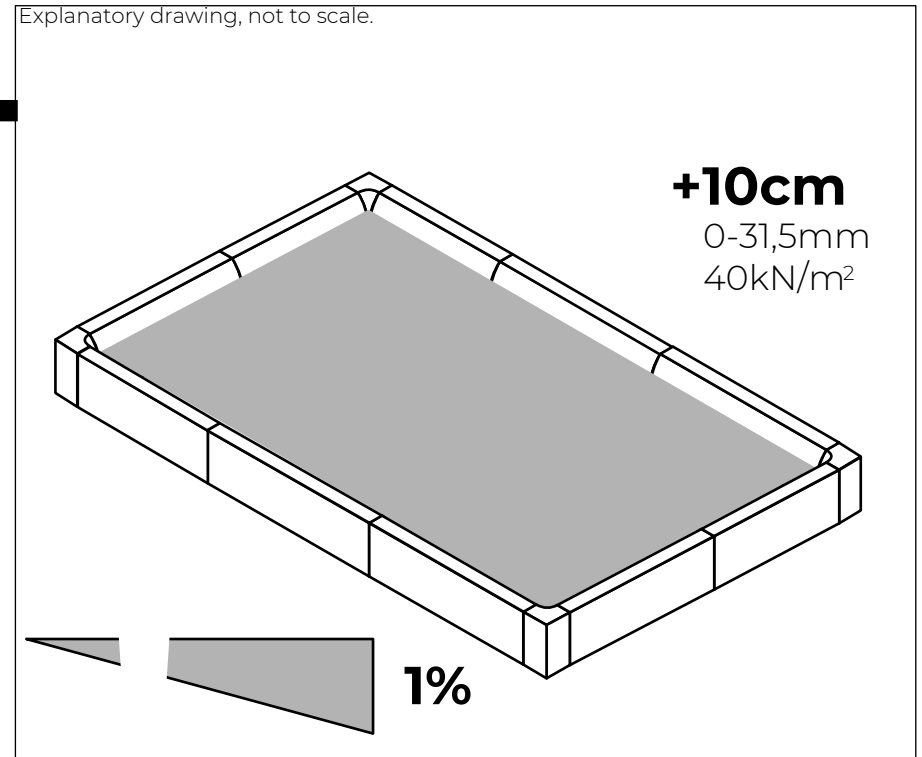
3



**Make concrete or wooden edging around the riding area.**

Recommended size at least 15x15cm.

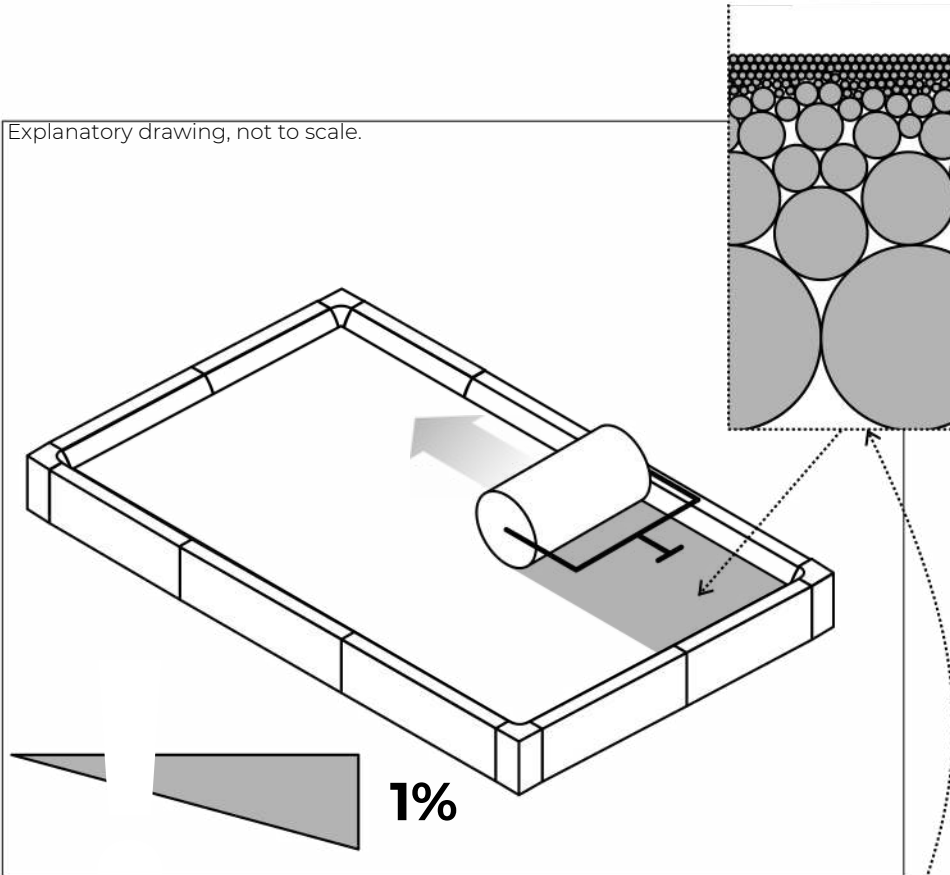
4



- **Replenish the soil with a 0-31.5mm or similar compaction fraction.**  
This can be demolition rubble, destruct, crushed rubble, voussoir or similar materials available in the area.
- **Layer thickness 10cm.**
- Layer thickness depends on the type of native soil.
- **Stabilisation required minimum 40kN/m<sup>2</sup>.**  
**Maintain a 1% slope.**

5

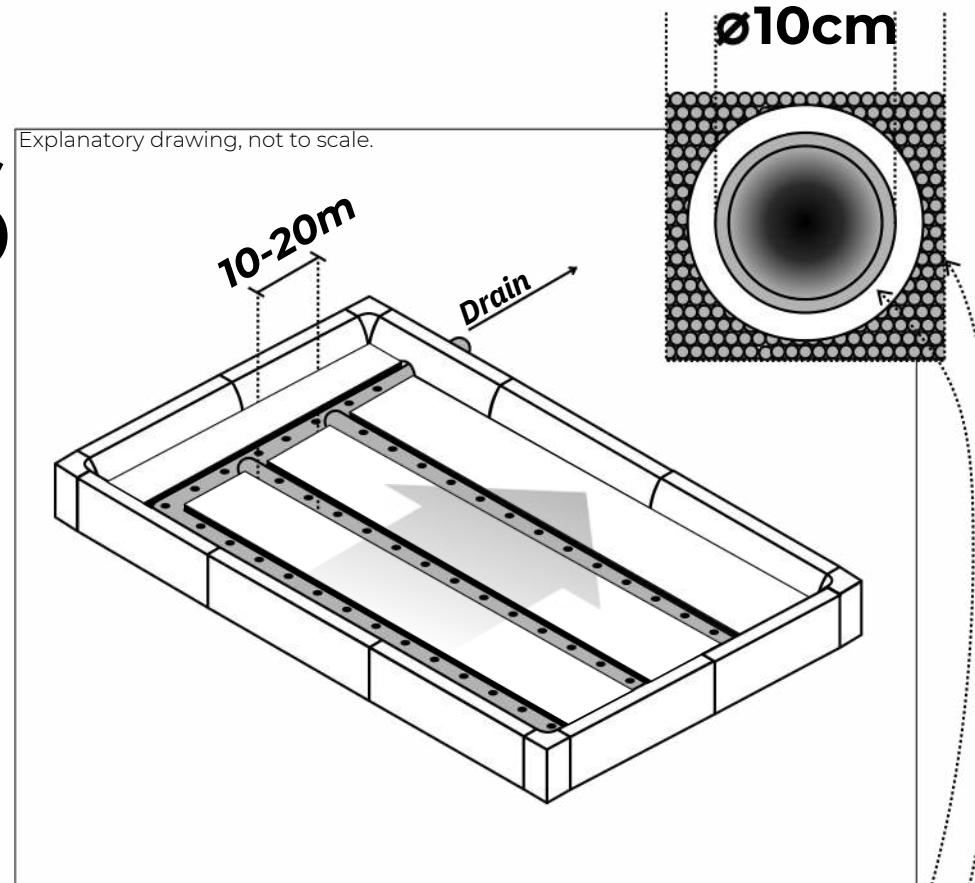
Explanatory drawing, not to scale.



- **The compaction layer should be well rolled, even and firm.**
- **The aggregate should be placed in layers from the coarsest up to 0, so that the larger stones do not overtop.**  
If this is not possible ( mix material available), we recommend that a thin layer of 0-18mm gravel is spread on top and re-compacted/rolled.
- **Remember to maintain a 1% slope.**

6

Explanatory drawing, not to scale.

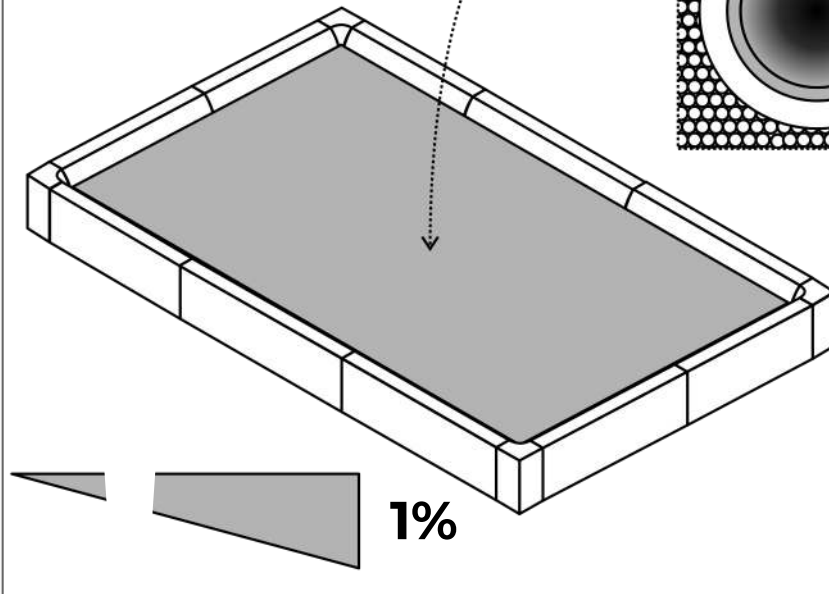


- **Make the drains 10cm in diameter.**  
Depending on the type of soil and the amount of rainfall in the area, the drainage pipes should be spaced 10 to 20m apart, across the direction of the slope.
- **Wrap them with geotextile and backfill with 8-16mm aggregate.**

7

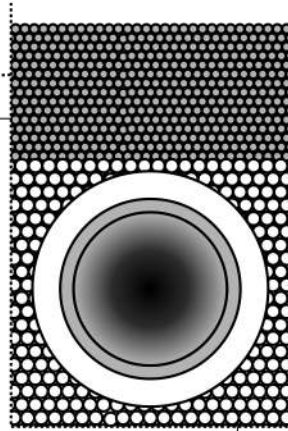
Explanatory drawing, not to scale.

**+7cm**  
6-18mm



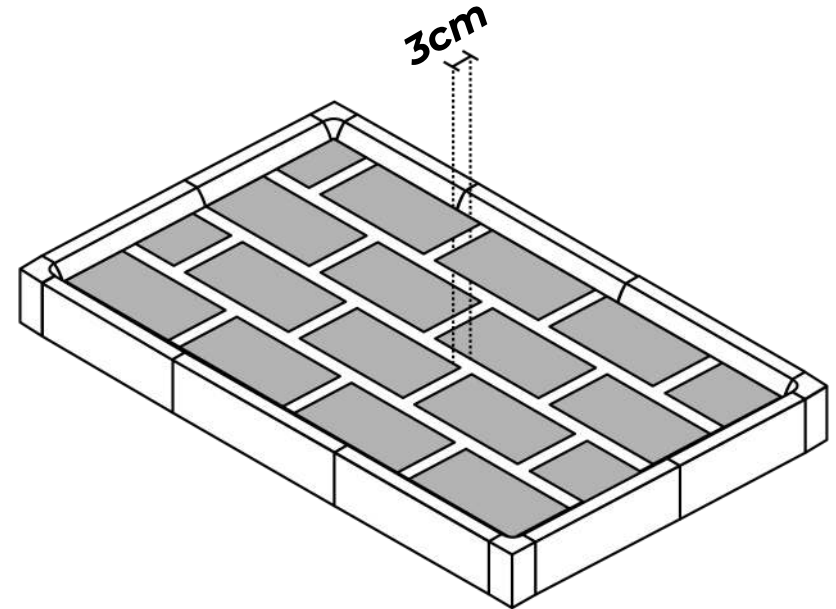
1%

- Lay a drainage layer - 7cm of 6-18mm aggregate.
- Remember to maintain a 1% slope.



8

Explanatory drawing, not to scale.



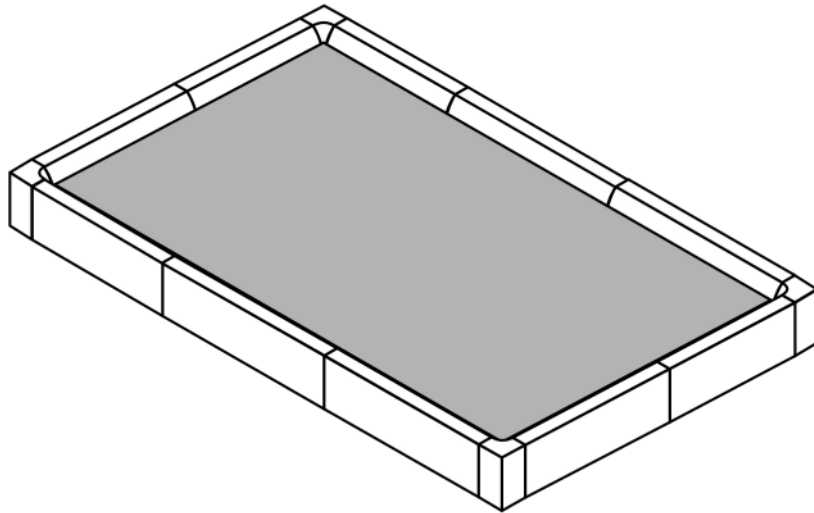
3cm

**Lay the perforated mats with a 3cm dilatation.**

9

Explanatory drawing, not to scale.

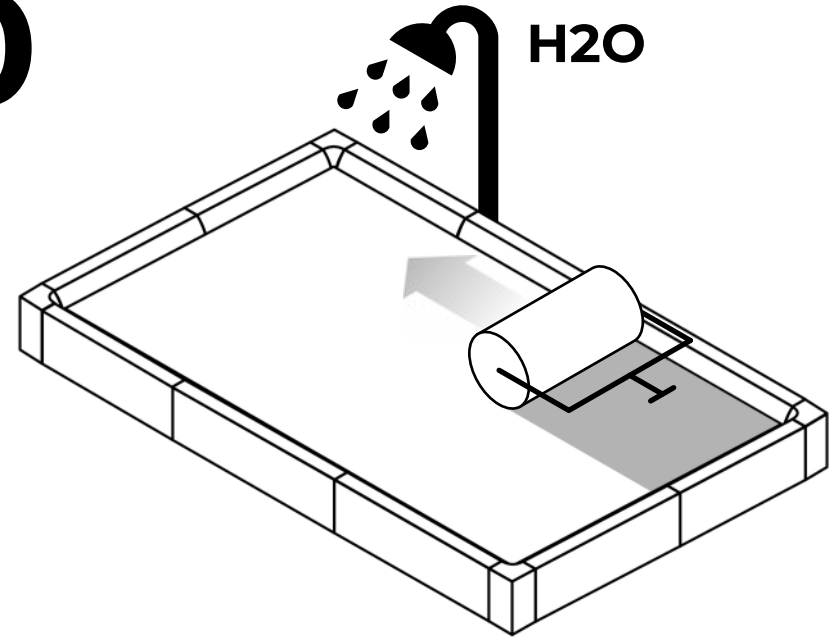
**+ 10cm silica sand  
+ Fleece 2,5kg/m<sup>2</sup>**



**Make a final layer - a mixture of silica sand and fleece. Fleece is applied at a rate of 2,5kg/m<sup>2</sup>.**  
Please contact us to select a good quality silica sand.

10

Explanatory drawing, not to scale.



**After laying, the substrate should be watered generously several times and well rolled for few days before use.**

Performance  
begins with the ground  
beneath you!

**eco-PLANK**

